

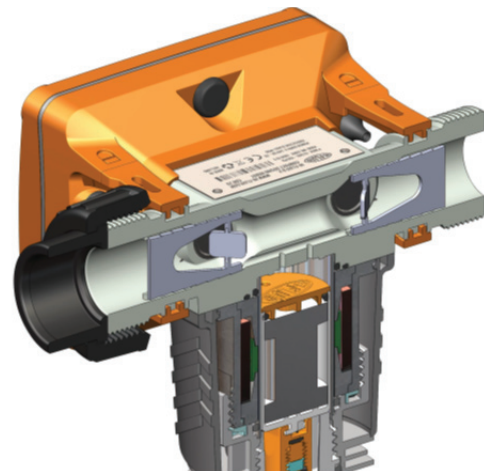
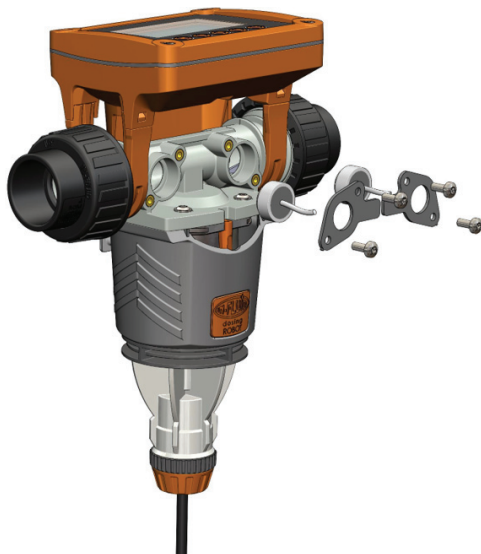
CDR-25 Compact Dosing Robot

This revolutionary Dosing Robot is the ultimate solution to bring digital dosing and your water management to a new level. The CDR-25 is a combination dosing device that provides water flow registration and product dosing at the same time. The unique electronic sensor technology has a flow detection varying from 100 mL (0.1L) / minute to 100 L / minute. The magnetic driven piston is powerful and has a consistent output of approximately 0.7 mL per stroke. The CDR-25 injects products directly into the waterline which avoids injection valve failures. The CDR-25 can be programmed with multiple dosing options including scheduled time dosing, low flow dosing (for start-ups), or regular dosing ratios from 1 – 10,000. The digital screen makes it easy to control the pump settings and monitor all information and history tracking.



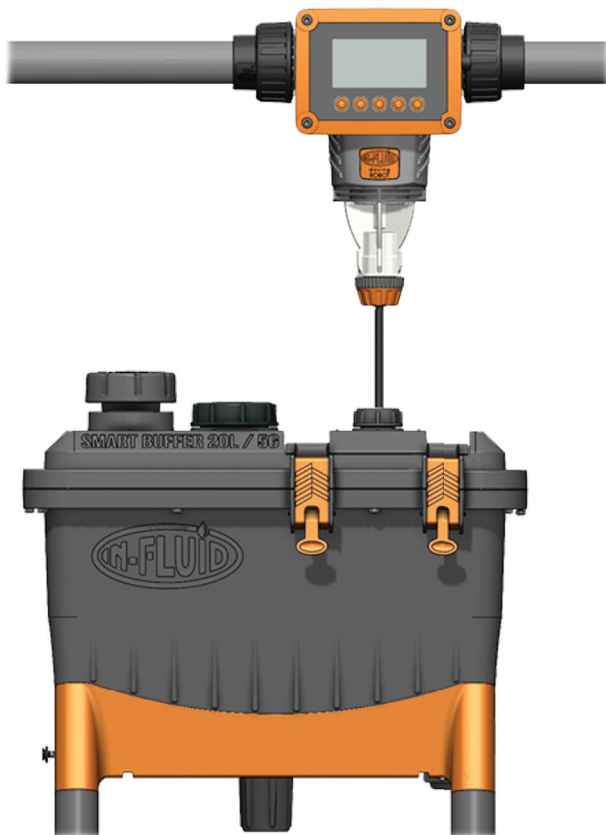
Features:

- Magnetic driven piston, low energy consumption (60W/24V)
- Direct precise inline dosing (no injection valve needed)
- Consistent dosing output (back pressure 10 – 90 psi)
- Data recording to analyze production results
- Wide flow range 100 mL/min – 100 L/min
- Tiltable digital screen for easy access
- Low maintenance requirements
- Chemical resistant components
- Built in electronic flow sensors
- Dosing output of 6 - 7 ltr / hr
- Dosing ratio 1 – 10,000
- Wi-Fi for updates
- Easy to install
- Plug & play
- Filter



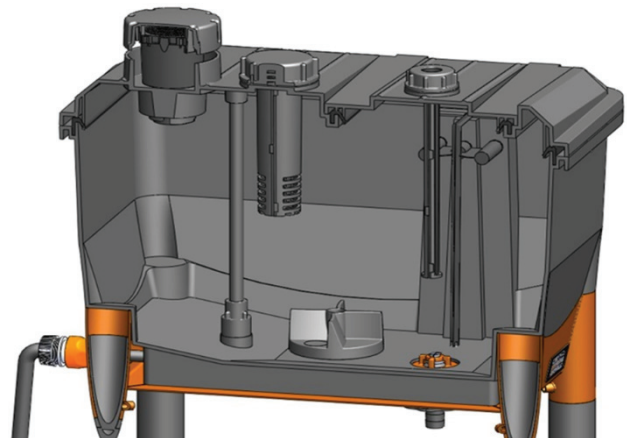
SB-20 Smart Buffer Tank:

The Smart Buffer Tank is a new designed storage solution tank, to make dosing various products, track and trace a standard part of your water management system. The heavy wall PVC tank comes equipped with a tank level sensor and an automatic fill controlled with an electric valve. The tank operates as a stand-alone product with its own controller or in sync with the CDR-25 Dosing Robot and together they control the required dosing levels based on the pump settings. The magnetic driven controlled agitator keeps the mixture homogenous so the product stays uniform and easy to pump. The Smart Buffer Tank has a quick drain in the bottom to clean out the tank between different mixtures.



Features:

- Digital level control sensor with PCB read out screen
- Heavy duty PVC tank (6 mm – ¼" wall thickness)
- Charcoal filter to prevent contact with fumes
- Variable agitator with RPM and time control
- Designed for Dutrion and most other liquids
- Programable water refill with level sensor
- Communicates with the CDR-25 pump
- Drain in bottom to clean out solids
- 20 ltr – 5 USG sealed tank with lid
- Chemical resistant components



Manufactured by:
In-Fluid B.V.
The Netherlands
www.in-fluid.com

Get **CONNECTED** and **IN CONTROL** with 
Innovative water management dosing solutions