



### FEATURES

- NSF-61
- Dry top multi-jet design
- Tolerates low quality water
- Simple pulse output

### APPLICATIONS

- Potable water
- Cooling tower chemical control
- Industrial water treatment
- Deduct metering
- Pump Pacing



Certified to  
NSF/ANSI 61-G

### GENERAL INFORMATION

**MJN-Series meters** use the multi-jet principle, which has been an internationally-accepted standard for many years. This type of meter is known for its wide range, simplicity, and accuracy in low-quality water. The Seametrics MJN-Series is **NSF-61 certified** and complies with Federal Public Law 111-380. The impeller is centered in a ring of jets, with inlet jets on one level and outlet jets on another. A gear train drives the register totalizer dials. For pulse output, one of the pointers is replaced by a magnet, which is detected by an encapsulated sensor attached to the outside of the lens. Pulse rate is determined by the dial on which the magnet is placed, and by the number of sensors (single or double).

Changing the pulse rate requires no special tools and can be done in the field.

Mechanically, all MJN-Series meters are the same. The difference among MJNE, MJNR and MJNT meters is in the sensor. MJNE meters use a solid-state, long-lasting Hall-effect sensor, which requires power. It is suited for use with Seametrics controls and metering pumps (LMI for instance) that have sensor power. MJNR meters use a two-wire reed switch. They provide a dry contact closure and do not require power. MJNT meters totalize only and do not have a sensor.

## FEATURES



Either MJNE or MJNR sensor fastens to lens without removing top

Calibration plug seal wire for tamper evidence

Eco-brass alloy body

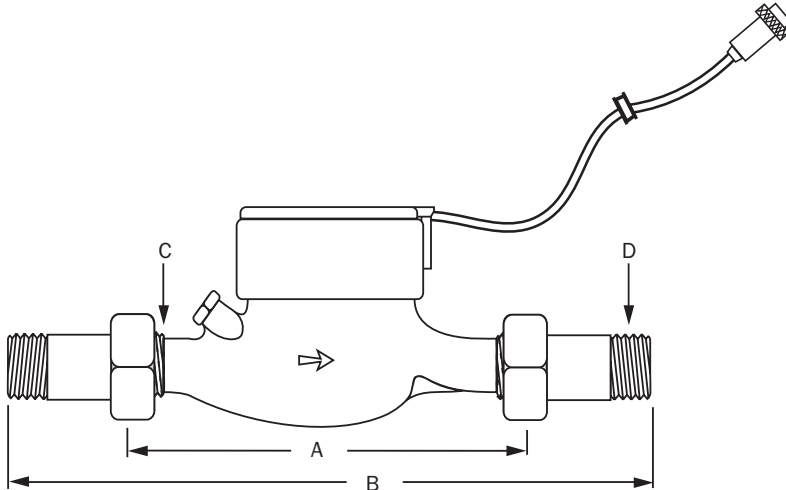
Union end couplings for easy service

## SPECIFICATIONS\*

<b>Power</b>	6 mA at 12 Vdc (MJNE only)				
<b>Temperature</b>	105° F (40° C) max				
<b>Pressure</b>	150 psi operating				
<b>Materials</b>	<b>Body</b>	Eco-brass alloy			
	<b>Internals</b>	Engineered thermoplastic			
	<b>Magnet</b>	Alnico			
	<b>Fittings</b>	Lead-free tail piece			
<b>Accuracy</b>	+/- 1.5% of reading				
<b>Pulse Output</b>		<b>MJNE</b>	<b>MJNR</b>	<b>MJNT</b>	
	<b>Sensor</b>	Hall-effect device	Reed switch	Totalizer only	
	<b>Max Current</b>	20 mA	20mA	n/a	
	<b>Max Voltage</b>	24 Vdc	24 Vdc or Vac	n/a	
<b>Cable Length</b>	12' (4 m) standard (2000' maximum run)				
<b>Flow Rates (GPM)</b>	<b>3/4"</b>	<b>1"</b>	<b>1-1/2"</b>	<b>2"</b>	
	<b>Minimum</b>	0.22	0.44	0.88	1.98
	<b>Maximum</b>	22	52	88	132
<b>Regulatory</b>	NSF61 complies with Federal Public Law 111-380				

\*Specifications subject to change • Please consult our website for current data ([www.seametrics.com](http://www.seametrics.com)).

## DIMENSIONS



	3/4"	1"	1-1/2"	2"
<b>A</b> (body)	7-1/2"	10-1/4"	11-3/4"	11-3/4"
<b>B</b> (w/couplings)	12-5/8"	15-5/8"	17-5/8"	17-5/8"
<b>C</b> (IPS thread)	1"	1-1/4"	2"	2-1/2"
<b>D</b> (NPT thread)	3/4"	1"	1-1/2"	2"

## PULSE RATES

	3/4"	1"	1-1/2"	2"
<b>Pulses per Gallon</b>	20*			
	10			
	4†	4†	4†	4†
	2*	2*	2*	2*
	1	1	1	1
<b>Gallons per Pulse</b>	1	1	1	1
	5*	5*	5*	5*
	10	10	10	10
	50*	50*	50*	50*
	100	100	100	100
<b>Cubic Feet per Pulse</b>	1	1	1	1
	5*	5*	5*	5*
<b>Pulses per Cubic Meter</b>	1	1	1	1
	10	10	10	10
	100	100	100	100

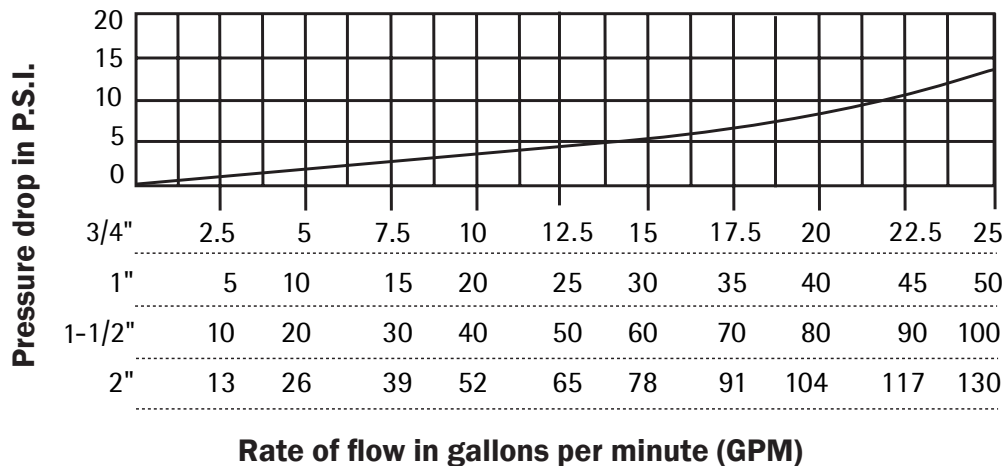
\*These pulse rates available in MJNR dual reed switch meters only.

†This pulse rate available in MJNR single reed switch meters only.

## FLOW RATES (GPM)

	3/4"	1"	1-1/2"	2"
<b>Minimum</b>	0.22	0.44	0.88	1.98
<b>Maximum</b>	22	52	88	132

## PRESSURE DROP CURVE



## HOW TO ORDER

MODEL	SIZE	PULSE RATE	OPTIONS
Reed switch = <b>MJNR</b> Hall-effect sensor = <b>MJNE</b> Totalizer only = <b>MJNT</b>	3/4" = <b>-075</b> 1" = <b>-100</b> 1-1/2" = <b>-150</b> 2" = <b>-200</b>	†*20 Pulse/Gal = <b>20P</b> †10 Pulse/Gal = <b>10P</b> *4 Pulse/Gal = <b>4P</b> *2 Pulse/Gal = <b>2P</b> 1 Gal/Pulse = <b>1G</b> *5 Gal/Pulse = <b>5G</b> 10 Gal/Pulse = <b>10G</b> *50 Gal/Pulse = <b>50G</b> 100 Gal/Pulse = <b>100G</b> 1 CF/Pulse = <b>1CF</b> *5 CF/P = <b>5CF</b> 10 CF/P = <b>10CF</b> 1 P/CM = <b>1CM</b> 10 P/CM = <b>10CM</b> 100 P/CM = <b>100CM</b>	LMI pump connector = <b>-06</b> Seametrics control connector = <b>-07</b>
		†3/4" Only *MJNR Meters Only	

**ACCESSORIES**  
Pulse divider = **PD10**  
Pulse splitter = **PS40**  
Pulse timer = **PT35**

## CONTACT YOUR SUPPLIER